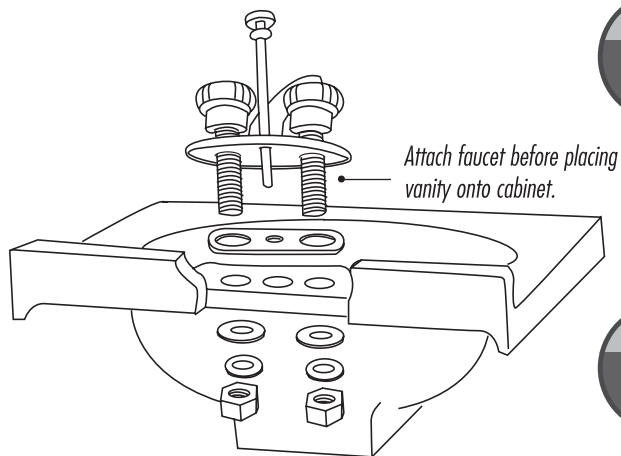


HOW TO INSTALL A STONEHOUSE GRANITE & MARBLE VANITY TOP



STEP

1

PREPARE VANITY FOR INSTALLATION

- Clean top of vanity of all debris
- Level the vanity front to back, side to side as well as diagonally
- Shim vanity to keep level and secure vanity to the wall
- As Granite is a heavy stone, be certain that the vanity can withstand the weight of the top

STEP

2

SEAL BOWL AND INSTALL VANITY TOP

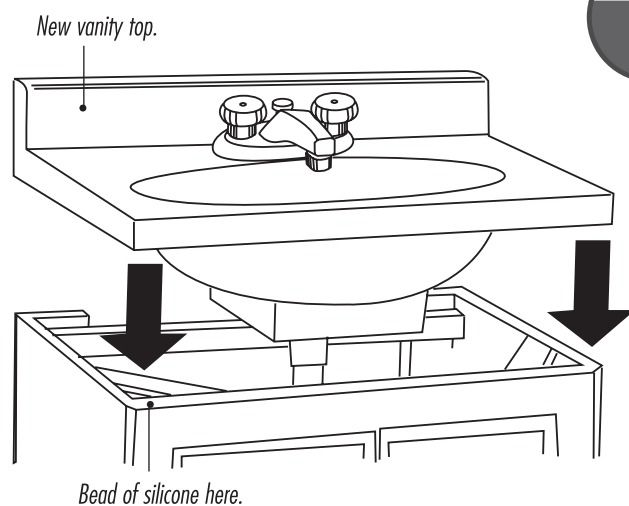
- Install the faucets per the manufacturer's instructions
- Run a 1/4" bead of clear acrylic caulk around the edge of the underneath side of the vanity top
- Carefully turn over the vanity top and place on the cabinet base(s) and set in place. Keep in mind as to any overhang that you will have
- Wipe away any excess caulk from the base and allow the caulk to set and dry (we recommend 24 hours to dry)

STEP

3

INSTALL BACK AND SIDE SPLASHES

- Clean back of splash(es)
- Apply urethane adhesive to the back side of the back splash and side splash
- Place the splashes in place on the top of the vanity top against the back wall and/or side wall(s)
- Run a 3/8" bead of clear caulk to the top edge of the splash where it meets the wall and smooth, making sure to fill any gaps due to a non-flat wall. Make sure not to force either splash to compensate for a bowed wall, again use your clear caulk to fill in those gaps
- Run a 3/8" bead of clear caulk in the corner where the backsplash and side splash(es) meet



Stonehouse Building Products
Customer Service 8 a.m.-5:30 p.m. EST
Toll free 877-784-1040
Fax 859-980-1041
www.stonehousesurfaces.com